

# SAFE-T-ALERT 2200 SERIES BACKUP ALARMS

## SAFE-T-ALERT® 2200 SERIES

### SPECIFICATIONS:

Voltage: 12-24VDC

Decibels: 107dB

Size: 4.25" w x 1.62" d x 2.74" h

Average Amp Draw: less than .8AMP

Polarity Protected: Yes

Spike Protected (V): +100/-400

Mounting: Universal

Warranty: 2 year

Features:

- Epoxy encapsulated circuit board
- With wire leads

### Certifications:

UL approved

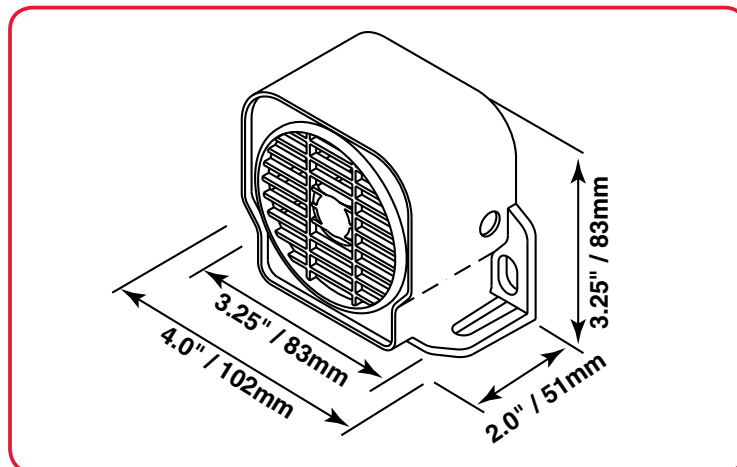
CE

SAE J994 Type B (107dB units)



### VARIATIONS:

PART #	DESCRIPTION
STA22702W	12-24VDC, 107dB



Corporate Headquarters:  
**16355 SOUTH LONE ELM ROAD • OLATHE, KANSAS 66062 • USA**  
TOLL FREE: 800-447-3693 • PHONE: 913-780-1440 • FAX: 913-780-1427 • EMAIL: info@superiorsignals.com  
www.superiorsignals.com

Canadian Distribution Center:  
**1039 CARDIFF BLVD. • MISSISSAUGA, ONTARIO L5S 1P4 • CANADA**  
TOLL FREE: 800-447-3693 • PHONE: 905-564-3560 • FAX: 905-564-5717 • EMAIL: info@superiorsignals.com  
www.superiorsignals.ca

Distributed By: